

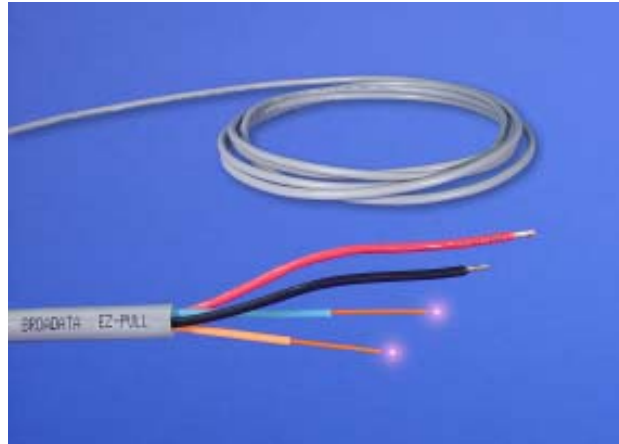


EP-Fiber

Easy-Pull Series Fiber Cables

**“One Cable handling both Fiber
Transmission and Copper
Powering”**

**+ “2 50um Multimode Fiber
2 AWG-18 Copper Wires”**



Applications

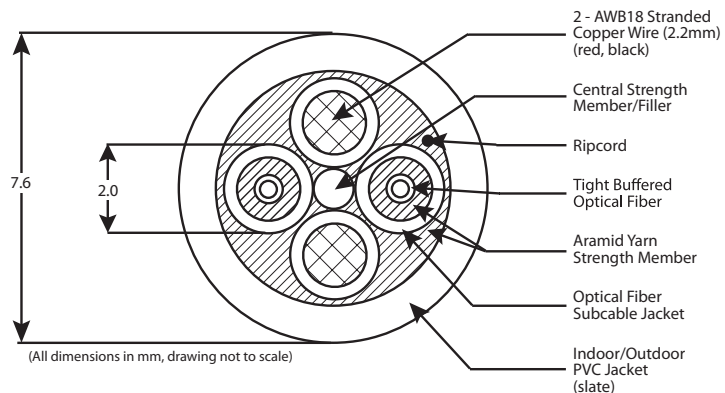
Medical
Customized Cables for HDTV
Military Applications
Equipment Interconnections
Pro AV

BCI's Easy-Pull Series Fiber Cables (EP-Fiber) offer the simplest installation, with ultra performance for each of your fiber transmission applications. Each Cable contains two 50um 10G multimode fibers and two AWG-18 stranded copper wires. This hybrid fiber/copper cable makes your installation job easy, saving significant cost in labor and troubleshooting.

Cable is designed for use with United States National Electrical Code (NEC) Class 2 power sources and is rated for indoor and outdoor use within the operating voltage, current, and environmental exposure limits for CL2R of Class 2 power source limitations.

Features

Addressing Fiber and Powering Wirings Simultaneously
Pulling Eye with Staggered Connectors for Worry-free Installation
10G Multimode Fiber
Ruggedized Breakouts
USA Made and Manufactured Quality



DOING MORE WITH ONE FIBER *plus* IP



EP-Fiber

Easy-Pull Series Fiber Cables



Fiber Construction

Fiber Type	Multimode (Plenum rated)
Fiber Count	2
Core Diameter	50 um
Cladding Diameter	125 um
Primary Coating Diameter	245 um
Secondary Buffered Diameter	900 um

Fiber Connector

Connector Performance	Loss < -0.75 dB RL > 25 dB
End-Face Specifications	Debris and dirt free end-face at 400X magnification for all assy's.
Ferrule Tolerances	Better than 1um concentricity tolerance on connectors used.

Fiber Performance

Wavelength	850 nm	1310 nm
Maximum Attenuation	3.0 dB/km	1.0 dB/km
Minimum Laser Bandwidth	2000 MHz-km	500 MHz-km

Copper Construction

Copper Type	AWG-18
Copper Count	2
Termination	Bare wire with solder tip

Ordering Information

EP-Fiber - _____ - _____ - _____ - _____

Fiber Connector A	Fiber Connector B	Length (ft)	Pulling Eye
SC	SC	35	1 - One side 2 - Both Sides
FC	FC	75	
ST	ST	100	
LC	LC	150	
		Custom	

DOING MORE WITH ONE FIBER *plus* IP



Subject to continued product enhancement, we reserve the right to change the above specifications and description without notice.