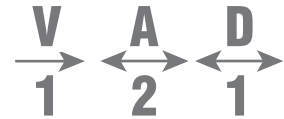




272E

Fiber Optic Unidirectional Video Transmission System with Bi-directional Audio and Data



“One Way Video, Two Way Audio/Data”



“Low cost, yet great performance, fiber video links with audio/data option.”

Applications

Security Surveillance and CCTV Systems

Traffic Control and Management

Video/Audio/Data Communication

Features

Low Cost and High Performance

Support Multimode or Singlemode Fiber

Standalone and Card-cage Packaging

1 Fiber Solution

CWDM Optics Available

The 272E Series is a low-cost and high-performance Unidirectional Fiber Optic Video Transmission System with Bi-directional Audio and Data. The standard 272E system is designed to transmit one (1) NTSC/PAL baseband video channel in one way, with bi-directional two (2) audio channel and one (1) serial data (RS-232/RS-422) channel over one multimode or singlemode fiber. Versions with multiple audio/data channels are also available. Many versions of optical transmitter and receiver combinations are available to address different distance requirements.

The 272E comes with two packaging options: a rugged, standalone, and compact unit, or a plug-in card for a card cage system. Panel connectors are provided for video (BNC), audio/data (terminal block), and fiber connection (ST-type for singlemode and multimode fiber). They are also easily monitored by separate LED indicators for power, optical link, and channel activity. The units are powered by +12VDC.

The 272E design is capable of addressing a variety of non-standard configurations. Contact us to discuss your custom, OEM/private brand and high volume requirements.



Doing More With One Fiber



272E

Multimedia Transmission Systems



Fiber Optic Unidirectional Video Transmission System with Bi-directional Audio and Data

Video

Channel Capacity	1
Bandwidth	8 MHz
Video Level	1.0 Vp-p @ 75 Ohms
Differential Gain	< 3%
Differential Phase	< 1°
SNR (Weighted)	> 65dB
Connector	BNC

Audio

Channel Capacity	2
Input/Output Impedance	600/600 Ohms
Max. Input/Output Level	+10 dBm @ 600 Ohms (Balanced)
Magnitude Freq. Response	20Hz to 20kHz @ -3dB
SNR (Weighted)	> 80 dB @ 1kHz (Balanced)
Connector	Terminal Block

Serial Data

Channel Capacity	1
Signal Format	RS-232 or RS-422
Data Rate	Up to 128 kbps (RS-232) Up to 512 kbps (RS-422)
Connector	Terminal Block

Physical

Dimension: (H x W x D)	
Standalone version	1.72" x 4.36" x 8.75"
Card-cage plug-in card	5.24" x 0.94" x 11.6"
Power Level	12 VDC @ 1 A
Operating Temperature	0 to +50°C (extended range is also available)
Humidity	0 to 95% RH, non-condensing
Status Indicators	Power, Optical Link, Video/Audio/Data, Activity

Optical

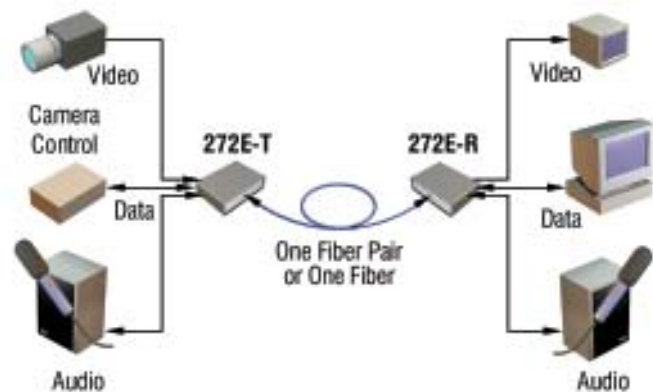
Fiber Type	Multimode or Singlemode
Number of Fibers	2 or 1
Wavelength	1310 and/or 1550 nm
Fiber Optic Connector	ST (Multimode) FC (Singlemode)

Typical Power Budget and Transmission Distance

Application	Power Budget (1)	Typical Distance KM (2)	Typical Distance Miles (2)
Multimode Fiber	12	3	1.8
Singlemode Fiber	12	25	16
Singlemode Long Distance	20	60	37

- (1) These are typical values for the 272E Series. The actual values may vary.
(2) These are typical distance coverage figures. The maximum distance coverage may be greater than these typical numbers, depending on fiber type, fiber bandwidth, connector splicing losses, chromatic dispersion, environmental factors, etc.

Applications



Doing More With One Fiber

Subject to continued product enhancement, we reserve the right to change the above specifications and description without notice.

