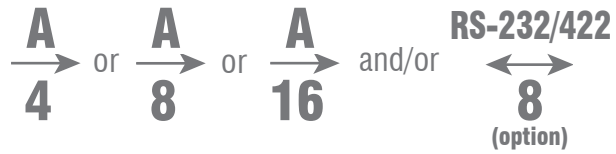




6100E

Digital Fiber Optic Multi-Channel Audio Transport System with Data Options



“Multiple Channel Audio Over ONE Fiber”



“High performance and affordable solutions for your multi-channel, audio transmission.”

Applications

- Remote Studio Audio
- Remote Mixer Output
- Audio Retrieval and Distribution

Features

- Digital Encoded Fiber Optic Links
- Accommodate 4, 8, 16, or 32 Audio Channels
- Reliable Transmission Over Multimode or Singlemode Fiber
- Options with Additional RS-232/422 Data
- 1 Fiber Solution**
- CWDM Optics Available**

The 6100E Series provides simultaneous transmission of multiple channels of digitized audio over one or one pair of fiber. The standard 6100E system comes with 4-, 8-, and 16-channel versions and transmits these audio channels in one direction. Models up to 32-channels are also available as a custom version. In addition to audio transmission, the 6100E has options to add up to 8-channels of RS-232/422 in the same link.

The 6100E features a digital fiber optic transmission technology, capable of providing crisp audio, little or no maintenance, high functional reliability, and low operating costs. The quality of BCI's audio transmission digital design is much superior to the analog transmission counterparts (based on amplitude or frequency modulation) available from other manufacturers. In addition, no user adjustments are required in the 6100E system, enabling quick setup and trouble-free operation.

The 6100E is available with two packaging options: a rugged, standalone, and compact unit, or a plug-in card for a card cage system. Panel connectors are provided for audio (terminal block) and fiber connection (FC-type for singlemode fiber or ST-type for multimode fiber). They are also easily monitored by separate LED indicators for power, optical link, and channel activity.

Due to its digital transmission design, the 6100E is capable of addressing a variety of non-standard configurations. Contact us to discuss your custom, OEM/private brand and high volume requirements.



DOING MORE WITH ONE FIBER plus IP

6100E

Multimedia Transmission Systems Security/Surveillance Transmission Systems

Digital Fiber Optic Multi-Channel Audio Transport System with Data Options

Audio

Channel Capacity	4, 8, or 16 (Standard) 32 (Custom)
Operating Mode	Balanced/Unbalanced
Input/Output Impedance	600/600 Ohms (Balanced)
Max. Input/Output Level	+10dBm @ 600 Ohms (Balanced)
Magnitude Freq. Response	20Hz to 20kHz @ -3dB
SNR (Weighted)	80dB @ 1kHz, 0dBm Input Level (Balanced)
Connector	Terminal Block

Serial Data

Channel Number	8
Signal Format	RS-232 or RS-422
Data Rate	Up to 115 Kb/s
Connector	Terminal Block

Physical

Dimension: (H x W x D)	
Standalone*	1.72" x 8.58" x 12.0"
Standalone**	1.72" x 17.03" x 12.0"
Card-cage Plug-in Card	5.24" x 0.94" x 11.6"
Power	+12 VDC @ 1.5 A (4 or 8-ch)
Operating Temperature	0 to +50°C
Humidity	0 to 95% RH, non-condensing
Status Indicators	Power, Optical Link, Audio Activity

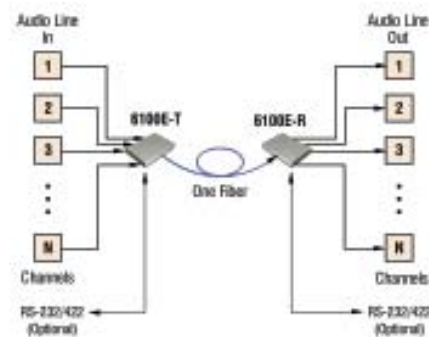
* For 4- or 8-channel, and for 16-channel unidirectional

** For 16-channel bi-directional

Optical

Fiber Type	Multimode and Singlemode
Number of Fibers	1
Wavelength	1310 and/or 1550 nm
Fiber Optic Connector	ST (Multimode) FC (Singlemode)

Application



Ordering Information

6104E-T-M-SC	Transmitter, Multimode, 4-ch, 1-Fiber	→ 4A
6104E-R-M-SC	Receiver, Multimode, 4-ch, 1-Fiber	← 4A
6104E-TRX-M-SC	Transceiver, Multimode, 4-ch, 2-Fiber	↔ 4A
6108E-T-M-SC	Transmitter, Multimode, 8-ch, 1-Fiber	→ 8A
6108E-R-M-SC	Receiver, Multimode, 8-ch, 1-Fiber	← 8A
6108E-TRX-M-SC	Transceiver, Multimode, 8-ch, 2-Fiber	↔ 8A
6116E-T-M-SC	Transmitter, Multimode, 16-ch, 1-Fiber	→ 16A
6116E-R-M-SC	Receiver, Multimode, 16-ch, 1-Fiber	← 16A
6116E-TRX-M-SC	Transceiver, Multimode, 16-ch, 2-Fiber	↔ 16A

(Change -M to -S for Singlemode)

DOING MORE WITH ONE FIBER *plus* IP



Subject to continued product enhancement, we reserve the right to change the above specifications and description without notice.