

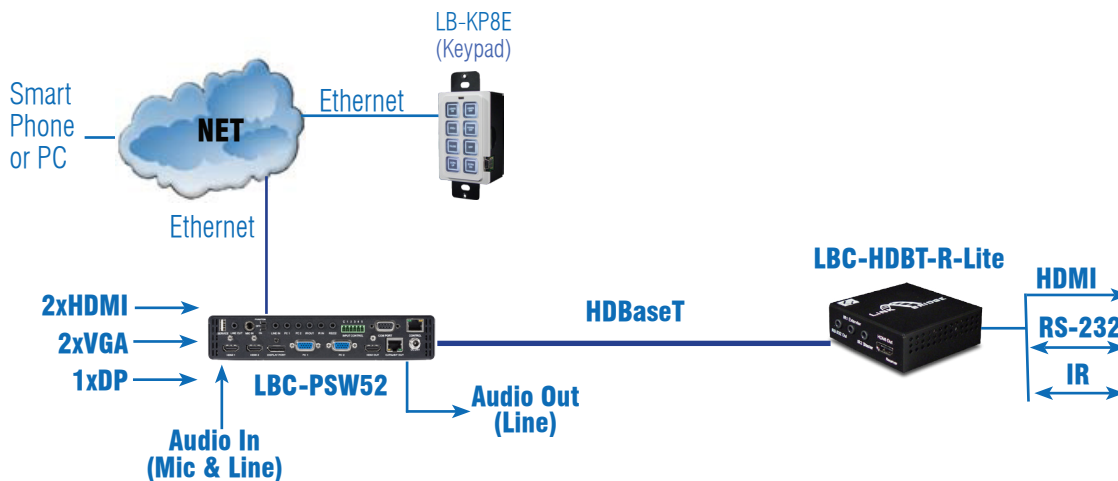
LBC-PSW52

Link Bridge™ Presentation Scaling Switch with 5 Inputs and Two Mirrored Outputs



FEATURES

- LBC-PSW52 is a small-scale presentation scaling switch
- Features 5 video inputs, two HDMI inputs, one DisplayPort, and two VGA input
- Two simultaneous video outputs of the selected source through the one HDBaseT and one HDMI output
- HDBaseT outputs extend HDMI/VGA signals up to 70 meters over CAT-5e/6
- Supports scaling of any input signal to a wide range of HDTV and VGA output resolutions up to 1080p and WUXGA
- Supports control via RS-232, Telnet, WebGUI, front panel control buttons, or contact closures
- HDBaseT output supports remote powering
- Supports one microphone input (with phantom power), three unbalanced audio input and one stereo audio output
- Compatible with Link Bridge LBH & LBC Series transmitters and receivers



DOING MORE WITH ONE CABLE



HDCP

4K
ULTRA HD

VIDEO SPECIFICATIONS

Resolution	Up to 1080p or 1920x1200@60Hz
Input Connectors	2x HDMI Female Plug, 2x HD-15 VGA Female*, 1x DisplayPort
Output Connectors	1x HDMI Female Plug, 1x HDBaseT RJ45
Protocol	DDC/EDID/HDCP Capable

*VGA input does not support YPbPr video format

AUDIO

Input Channel Capacity	1x microphone, 3x L/R analog
Input Connectors	3mm jack
Output Channel Capacity	1 L/R Analog
Output Connectors	3mm jack

CONTROL DATA

LAN/Telnet	1, RJ-45
RS-232	1, DB9
IR	2, 3mm jack
Others	Input control, terminal block

PHYSICAL

<i>Dimensions</i>	
Presentation Switcher	8.62" (W) x 6.14" (D) x 1.7" (H)
Power Consumption	+24VDC @ 1 Amps (Max.)
Operating Temperature	0 to +40°C
Humidity	20 to 90% RH, Non-Condensing

TRANSMISSION

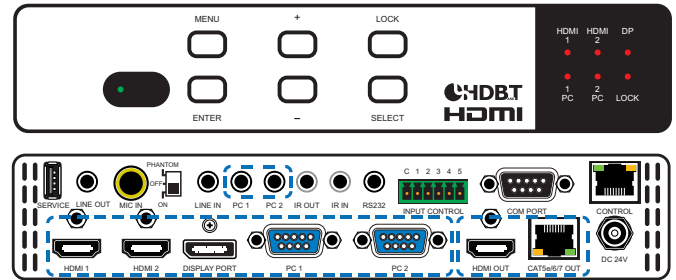
Format	HDBaseT
Cable Type	CAT-5e/6
Number of Cables	1
Connector	RJ-45

ORDERING INFORMATION

LBC-PSW52	Multiformat Switch, HDBaseT, Tx/Rx, CAT-5e/6, HDMI/VGA/DP
-----------	---

Add -UPS for International Power Supply

PANEL DRAWINGS



DOING MORE WITH ONE CABLE