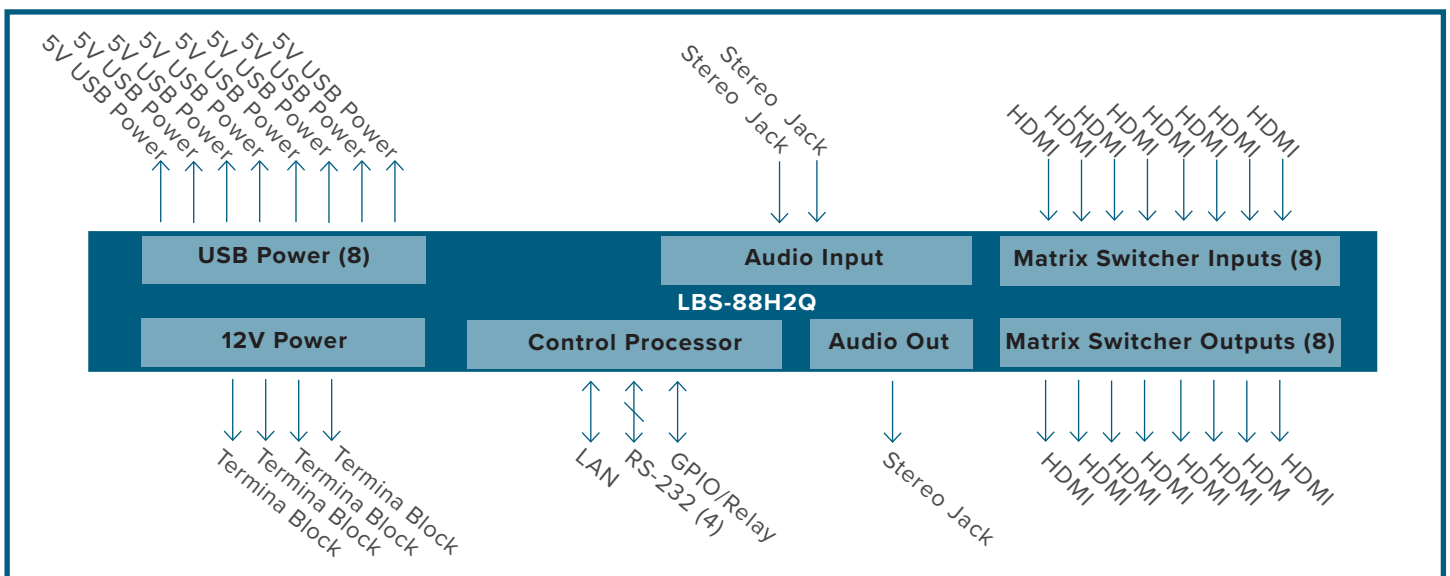


# LinkBridge™ 18G/4K HDMI Matrix Switcher with Control & Audio Processor

## LBS-88H2Q



## OVERVIEW

The LBS-88H2Q is an 18G/4K HDMI matrix switcher with built-in control I/O that supports up to eight 4K HDMI inputs, eight 4K HDMI outputs and eight USB power outputs. LAN, RS-232, GPIO and relay interfaces offer flexible control I/O options to streamline your integration efforts. Supports various video resolutions up to 4K@60Hz with 4:4:4 YUV and HDR formats and pass-through audio including the latest Dolby Atmos audio format. Seamless switching between video sources and output 2k to 4K upscale and 4K to 2K downscale capability. The unit offers complete user management interface capabilities via RS-232, Telnet, REST API and WebGUI.

## FEATURES

- An 8x8 HDMI 4K60 4:4:4 matrix switcher with HDCP 2.2 compliance
- Supports video resolutions up to 3840x2160@60Hz & 4096x2160@60Hz with 4:4:4 RGB/YUV and HDR format
- Supports pass-through of audio formats including LPCM 2.0, 7.1 Dolby Digital, DTS, Dolby Digital Plus, Dolby TrueHD, Dolby Atmos and DTS-HD Master Audio
- 2x1 Analog Audio Switch
- Multiple control I/O ports (LAN, RS-232, GPIO & Relay) are built-in to simplify external peripheral control
- Output 4K or 2K scaling with EDID management
- Multiple user management interfaces include RS-232, Telnet, REST API and WebGUI

## SWITCHER

Input	Eight (8) HDMI 2.0 Ports
Output	Eight (8) HDMI 2.0 Port

## USB POWER

Output	8x 5V, 0.5A
Connector	USB- Type A

## TERMINAL BLOCK POWER

Output	2x 12V/2A 2x 12V/1A
Connector	2-Pin Terminal Block

## LED INDICATOR

Power On	Green LED
USB Power Fault	Red LEDs (8x)

## AUDIO

Input	2Vrms (max)
Connector	2x 3.5mm stereo jack
Output	0.9Vrms (max)
Output Connector	3.5mm stereo jack

## CONTROL I/O

RS-232	3x up to 115200 baud
Connector	Terminal Block
Ethernet	10/100 Base-T
Connector	RJ-45
GPIO	Digital input/output (user configurable)
Connector	Terminal Block
Relay	24VDC, 1A, normally open/normally closed contact
Connector	Terminal Block

## CONSOLE PORT

RS-232	19200 baud
Connector	Terminal Block

## PHYSICAL

Dimensions	17.25"(W) x 14" (D) x 6.97" (H)
Operating Temperature	0 to 40°C
Storage Temperature	-20 to 60°C
Power Supply	24V, 6.75A

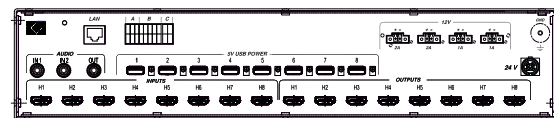
## CERTIFICATIONS

## GREEN COMPLIANCE

## ORDER INFORMATION

<b>LBS-88H2Q</b>	LinkBridge™ 8x8 18G/4K HDMI Matrix Switcher with Control & Audio Processor
------------------	--

## PANEL DRAWING



← 17.25" →

