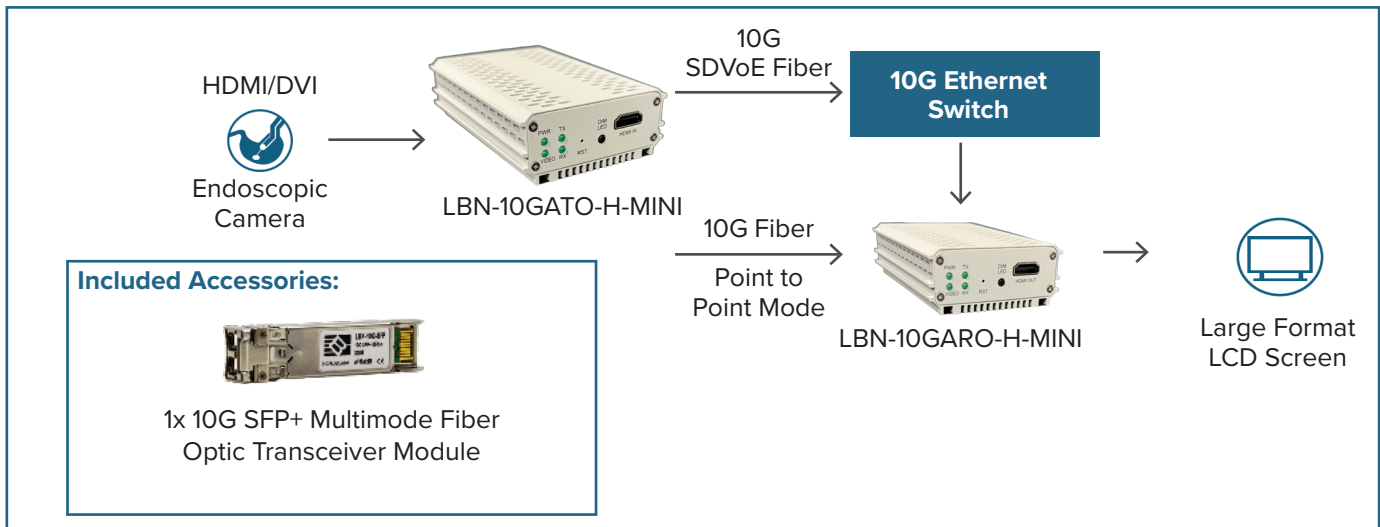
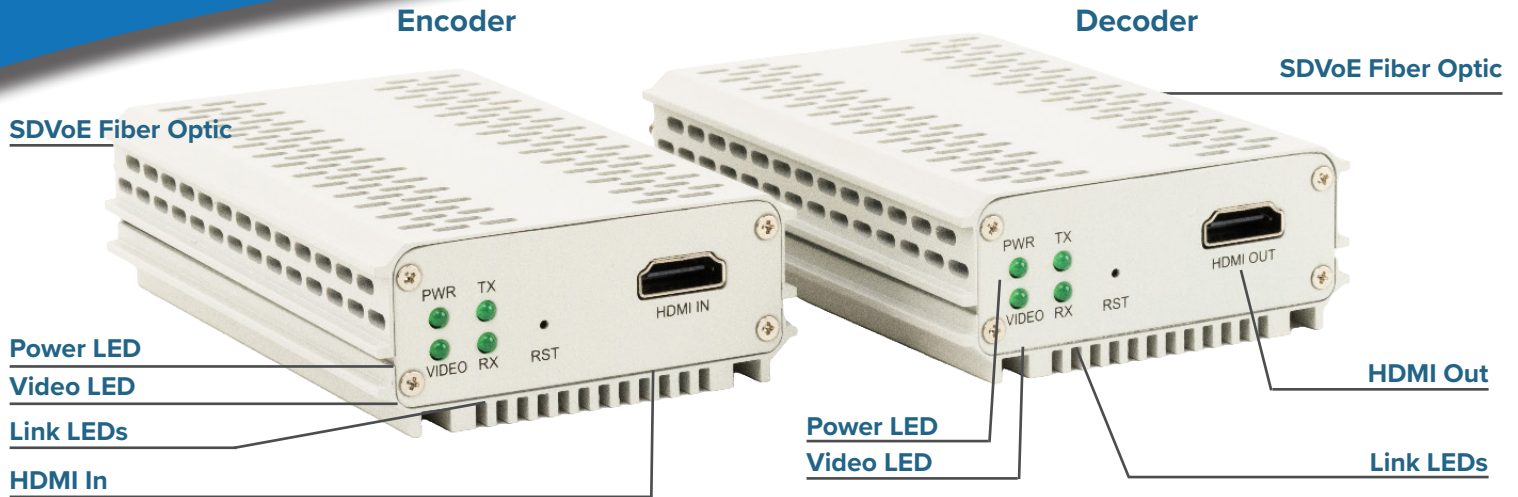




HDMI Standalone Mini LBN-10GATRO-H-MINI



FEATURES

- Supports HDMI (4K60 4:4:4 support) over 10G Fiber IP Network
- Visually Lossless Compression with zero-frame latency
- SFP+ MMF/SMF
- AV processing supports video wall and single-frame switching
- Input/Output : HDMI
- 128 bit AES encryption
- Switcher-style routing using simplified REST API

- Fully compliant and inter-operable with other SDVoE products
- Low power consumption and fanless operation based on Semtech AVP2000 ASIC
- Enables switching and extension of AV over Ethernet networks
- No switching time when used in Fast Switch mode.
- Broadcast quality scaler, programmable to scale up or down any resolution
- Supports 4K60 RGB/4:4:4, HDR, 3D and broadcast-friendly 4K60 12-bit 4:2:2

VIDEO INPUT

Video Format	HDMI (Up to 4K60)
Connector	HDMI Type A

VIDEO OUTPUT

Video Format	HDMI (Up to 4K60)
Connector	HDMI Type A

SERIAL DATA CONTROL

Signal Format	RS-232 (115200baud)
Connector	3-Pin Terminal Block

OPTICAL PORT

Transceiver Type	10G SFP+ Module
Number of fibers	2 MMF/SMF (OM3-300m/SMF-1Km)
Connector	LC

STATUS LED INDICATORS

Power	LED
Link Tx	LED
Link Rx	LED
Video	LED

PHYSICAL

Dimensions	2.85(W)x1.19(H)x4.33(D)
Supply Voltage	12 ~ 24V DC
Current	1.0A
Power Connector	3-pin CIR-DIN connector
Weight	<1 lb
Operating Temperature	0 to 40°C
Storage Humidity	0 to 95%, non-condensing

GREEN COMPLIANCE

RoHS3, REACH

ORDER INFORMATION

LBN-10GATO-H-MINI	Encoder with Single HDMI Input
LBN-10GARO-H-MINI	Decoder with Single HDMI Output

PANEL DRAWING

