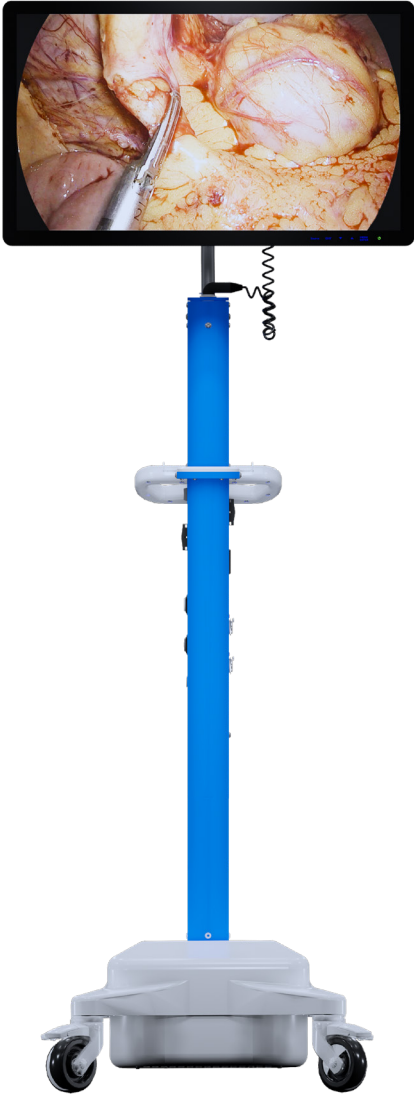


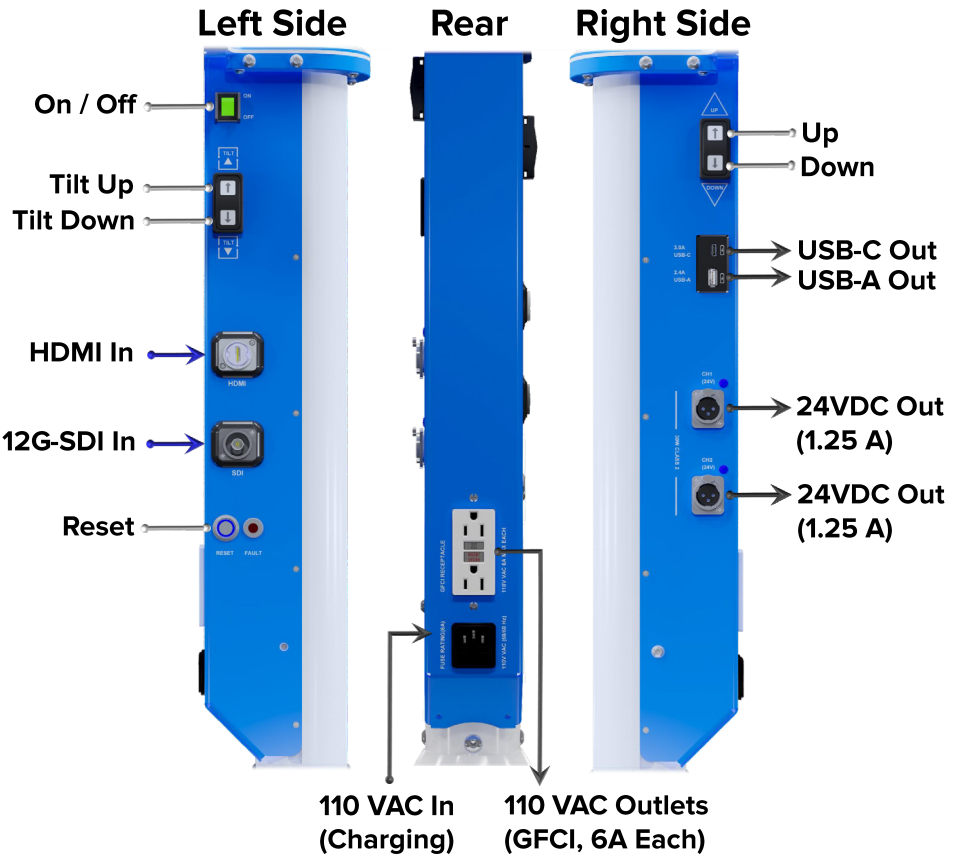
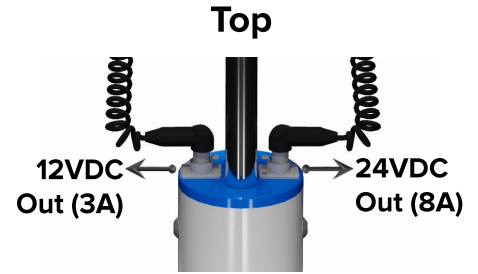
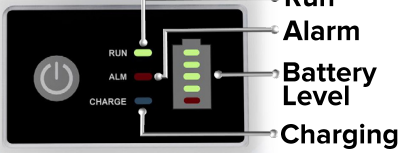


# Battery Powered Mobile Stand



## CONNECTOR PANELS

### Battery Panel



- Cordless battery powered monitor stand specifically designed and certified for medical use
- Use with 4K wireless video system (sold separately) for a completely cordless secondary monitor solution
- Rechargeable 1920 Wh lithium-ion battery lasts up to 8 hours (32" monitor) and rapidly recharges in 4 hours
- Push button, powered controls for monitor height and tilt adjustments
- HDMI and 12G-SDI pass through connections to the monitor, allows easy connection of a wired signal
- Integrated power inverter and 110 VAC GFCI power outlets for powering AC input devices
- 24 and 12 VDC connections for powering both the monitor and wireless receiver

# Battery Powered Mobile Stand

## GENERAL FEATURES

Monitor Height Adjustment	Powered, push-button controls
Height Adjustment Range	60 Inches (Lowest), 73 Inches (Highest)
Monitor Tilt Adjustment	Powered, push-button controls
Tilt Adjustment Range	+ 20 Degrees (Up), - -5 Degrees (Down)
Low Battery Warning	Visual indicator and audible alarm
Optional Attachments	Rear handle, compact tray, ?

## ELECTRICAL SPECIFICATIONS

Battery Type	24VDC, Rechargeable Lithium-Ion
Battery Capacity	50 to 75 Amp hours (1280 to 1920 Watt hours)
Power Input (Charging)	100 VAC, 4 Amps, 50/60 Hz
Typical Run Time	8 Hours when powering 32" monitor
Typical Charge Time	4 Hours

## PHYSICAL

Dimensions (W x H x D)	20 x 59 x 24 in (508 x 1498.6 x 609.6 mm)
Stand Weight	150 lbs (68 kg)
Caster Wheel Size	10 In (254 mm), locking type
Monitor Mounting Pattern	100 x 100 mm & 75 x 75 mm VESA
Maximum Monitor Weight	50 lbs (22.7 kg)
Cable Management	Cable cover included

## ENVIRONMENTAL

Operating Temperature	TBD (°C)
Storage Temperature	TBD(°C)
Operating Humidity	TBD RH (Non-condensing)
Storage Humidity	TBD RH (Non-condensing)
Operating Altitude	TBD meters

## CERTIFICATIONS

TBD

## POWER OUTPUTS

POWER OUTPUTS	AMPS (MAX)	DEVICES SUPPORTED
24 VDC x 1	8 Amps	Monitors, up to 32"
12 VDC x 1	3 Amps	Wireless video receiver
110 VAC x 2	6 Amps each	Any AC powered accessory
24 VDC x 2	1.25 Amps	Any 24V powered accessory
USB-A	2.4 Amps	For charging USB devices
USB-C	3 Amps	For charging USB-C devices

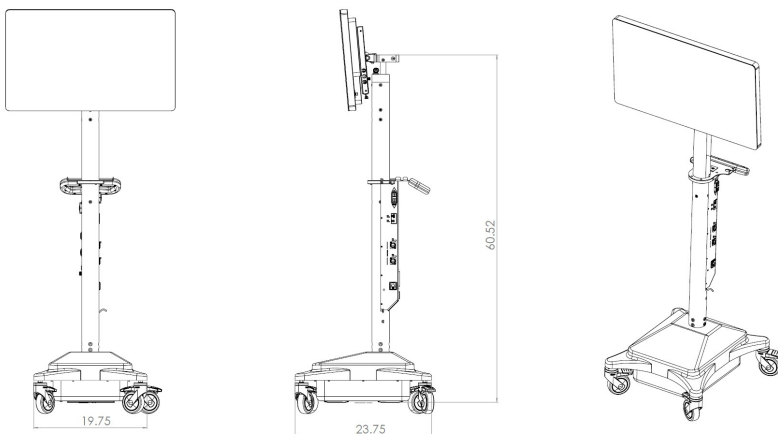
## VIDEO PASS-THROUGH CONNECTIONS

VIDEO INPUTS	CONNECTOR	MAX RESOLUTION
12G-SDI x 1	BNC	4K
HDMI 2.0 x 1	HDMI	4K

## ORDERING INFORMATION

Battery Powered Mobile Stand - **Part Number**

## MECHANICAL DRAWING



**Address:**  
2545 West 237th St  
Torrance, CA 90505

**Contact:**  
**Phone:** 800.214.0222  
**Website:** [www.broadatacom.com](http://www.broadatacom.com)